

# Real-time Visibility

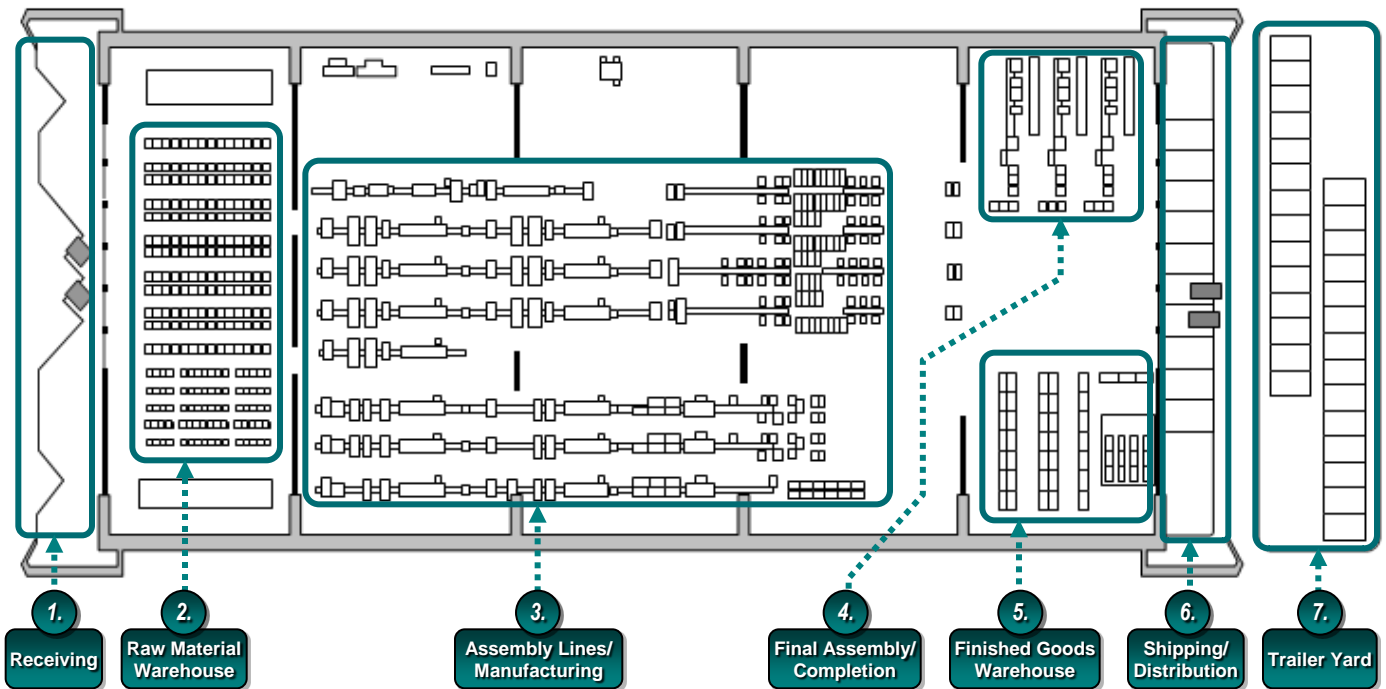
*Auto-ID enabled  
SAP Applications for  
Manufacturing*

Reference Guide



*Delivering Real-Time Visibility  
to the Enterprise*

# Real-time Manufacturing Visibility



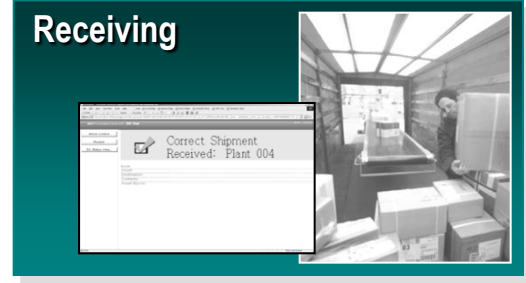
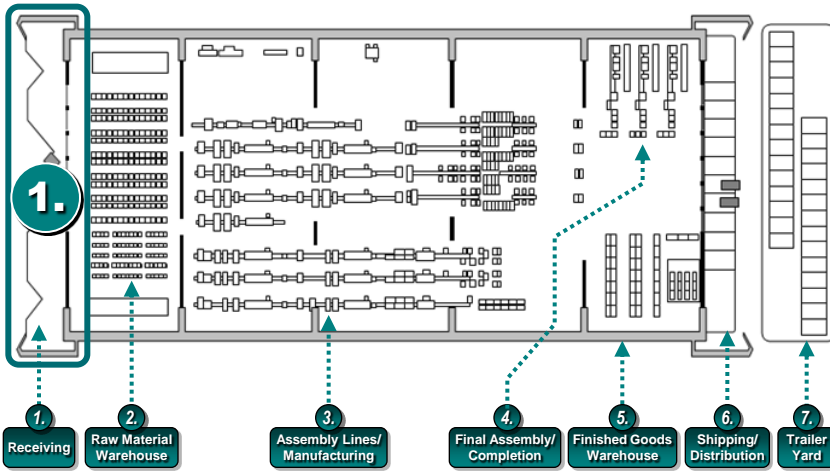
An early misconception of Auto-ID technology was that it had to be deployed across the enterprise to deliver value. Now, many manufacturers are discovering that Auto-ID and sensor technology can provide critical visibility within the four walls of a single facility, increasing operational efficiency while reducing inventory and labor costs. Real-time enabling even a single facility can have an enterprise-wide impact. *Automating and error-proofing even a single business process can deliver a significant return on investment.*

Process-specific projects often pay for themselves within 9-12 months, and are targeted in one or more of the following areas:

- Shipping
- Receiving
- Container Tracking
- Kanban Management
- Cycle Counting
- Tool Tracking
- Work-in-Process Tracking
- Order Tracking
- Yard Management
- Audit & Inspection

This guide illustrates specific areas where manufacturers can quickly and cost-effectively Real-time enable their operations, using a single assembly facility as an example.

# 1. Auto-ID Applications in Receiving



## Auto-ID Application

- Automate receipt & verification of incoming goods

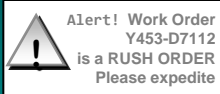
## Web Services Integration Options for ERP & WMS Systems

- Compare received goods with content manifest or ASN
- Flag rush orders by comparing order number and special instructions
- Expedite rush orders
- Quarantine and track non-scheduled shipments

## Auto-ID Value Add

- 100% automated tracking & reliable identification of shipments as they are received
- Significantly reduce error rates and costly correction processes
- Focus staff on exception handling vs. administrative paperwork

## RTI (Returnable Transport Item) Tracking



## Auto-ID Application

- Track reusable containers and contents from location to location

## Web Services Integration Options for ERP & WMS Systems

- Pull parts manifest for each work order to track components
- Confirm final destination for each shipment & work order number
- Alert staff with a visual or audible alarm when a work order is received at the wrong location

## Auto-ID Value Add

- Automate check-in/check-out processes
- Obtain real time status of work orders and components

## Case Study:

### Better Customer Satisfaction, Reduced Inventory Costs

A leading Electronics Manufacturer RFID-enabled its ERP and MES systems with OAT Asset Tracking to track component inventory, work-in-process, finished goods and deliveries.

With real-time visibility, the company was able to reduce its supply chain inventory by nearly 20% while significantly improving order accuracy.

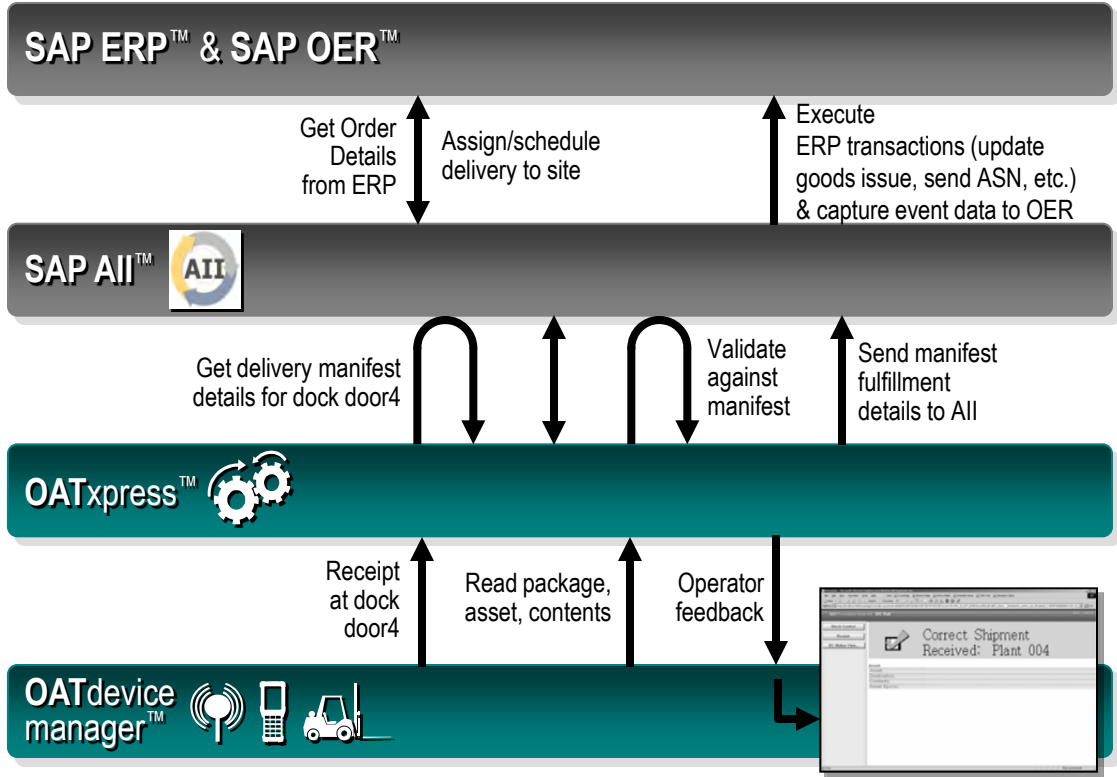
# 1. Receiving: Functional Process Flows

## Receiving



### Sample Process Flow

- Validating manifest details, ASN against physical shipments

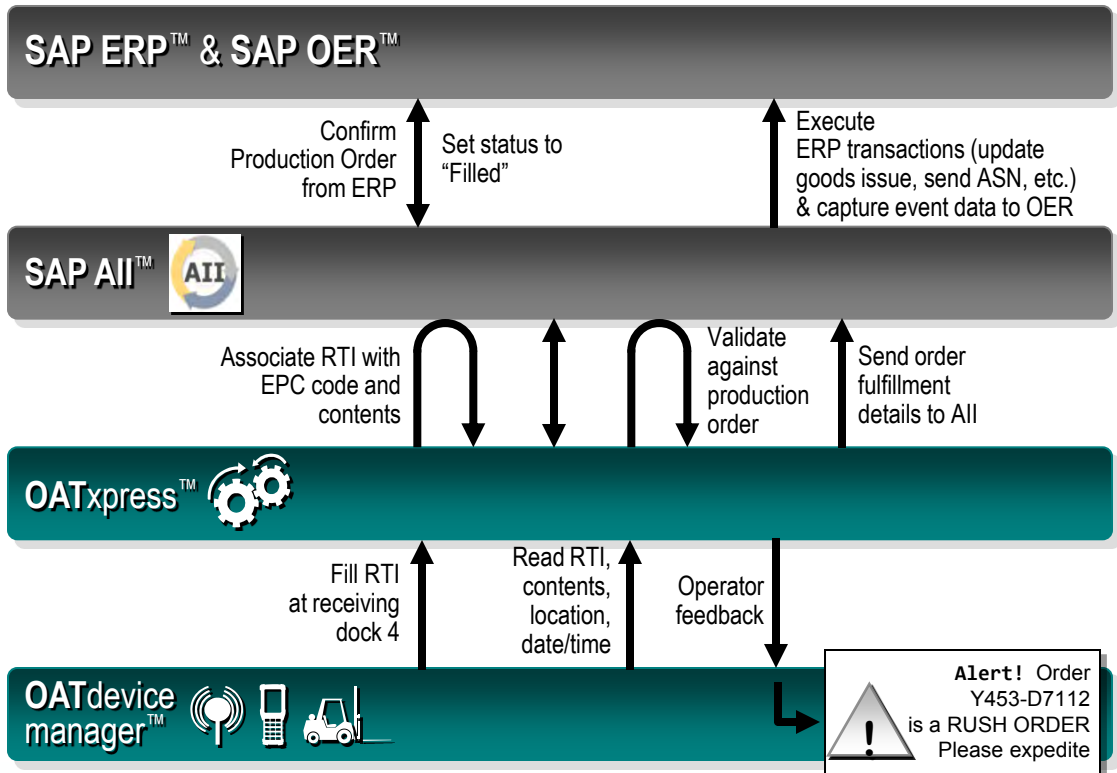


## RTI (Returnable Transport Item) Tracking

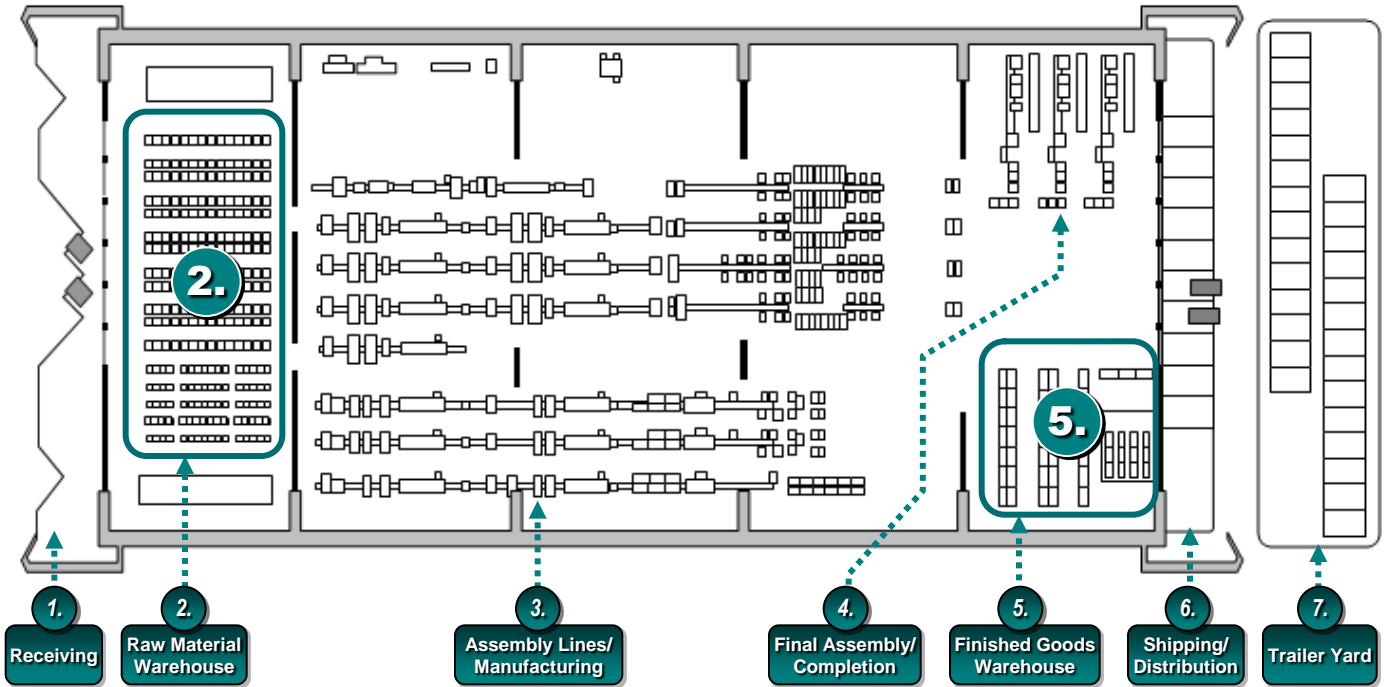


### Sample Process Flow

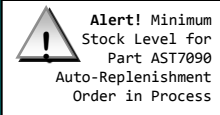
- Validating order & manifest details against physical containers and their contents



# 2. 5. Auto-ID Applications in Warehouses & Stores



## Stock Taking/ Cycle Counting



### Auto-ID Application:

- Automated stock taking and inventory updates

### Web Services Integration Options for ERP & WMS Systems:

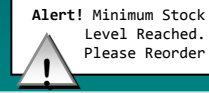
- Compare expected inventory with actual inventory
- Update inventory levels in enterprise systems and dashboards

### Auto-ID Value Add:

- Faster, more frequent inventory counts, with no line-of-sight requirements
- More accurate item-level inventory

## Kanban Management

### Line-Side Replenishment



### Auto-ID Application:

- Proactive inventory management and automatic replenishment

### Web Services Integration Options for ERP & WMS Systems:

- Compare expected inventory with actual inventory
- Alert operator or automatically replenish when inventory levels are low

### Auto-ID Value Add:

- More accurate inventory and replenishment
- Reduction in safety stock, labor costs
- Increased downstream productivity

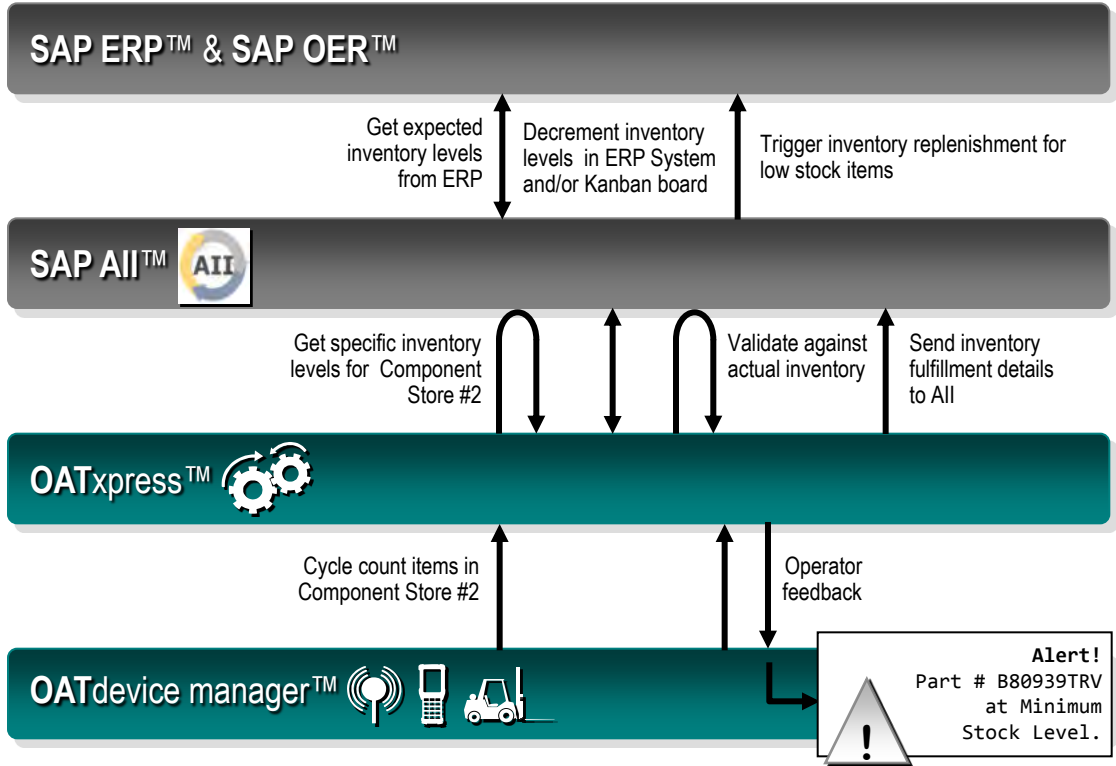
# 2. 5. Warehouses & Stores: Functional Process Flows

## Stock-Taking Cycle Counting



### Sample Process Flow

- Inventory Verification and Auto-Replenishment

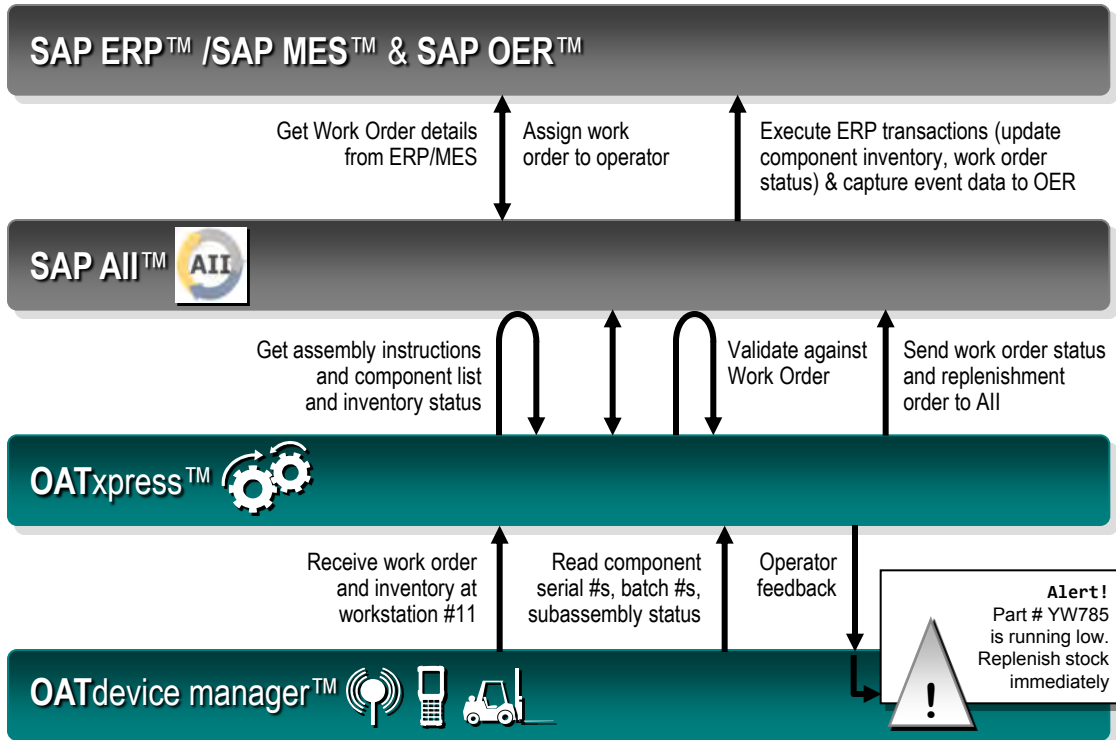


## Kanban Mgmt. Line-Side Replenishment

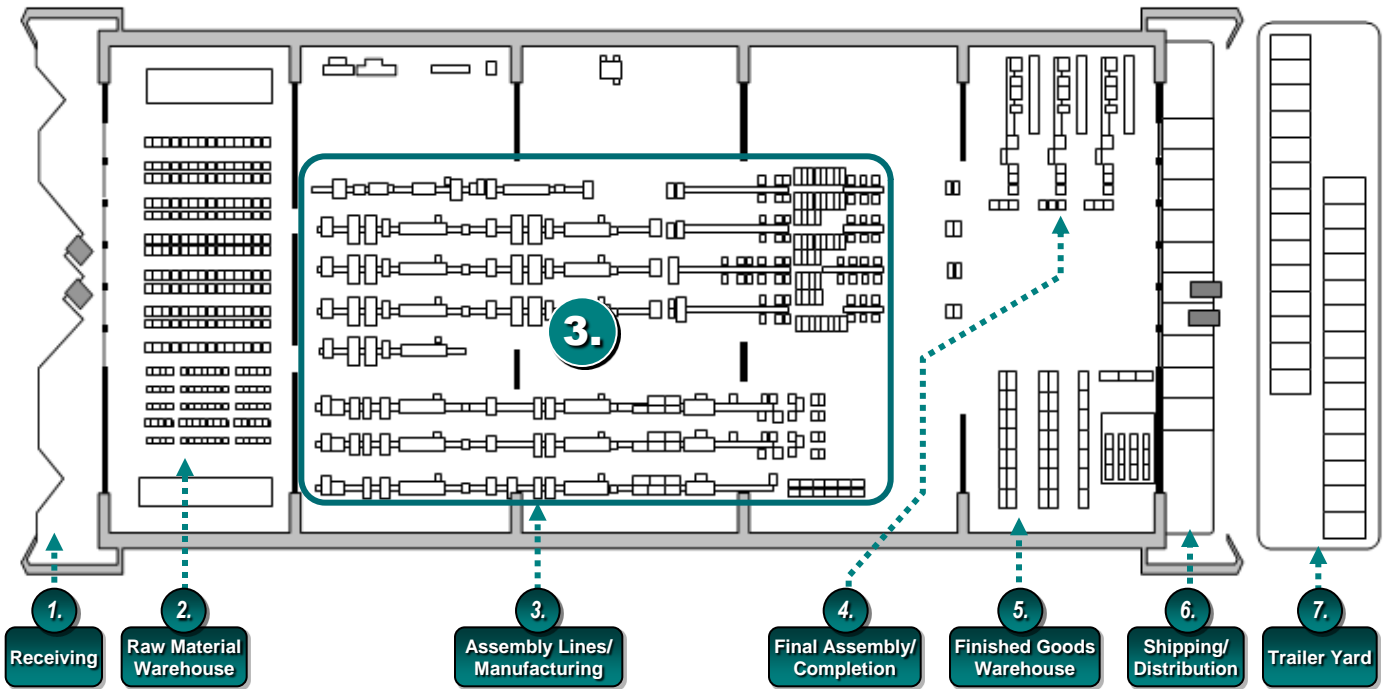


### Sample Process Flow

- Verifying Component Inventory at Line-Side as Work Orders are assigned



# 3. Auto-ID Applications in Assembly



## Work in Process Tracking



### Auto-ID Application:

- Real-time tracking of manufacturing work orders, component parts and subassemblies

### Web Services Integration Options for ERP, MES & WMS Systems:

- Update inventory levels when component parts are assigned to new work orders
- Alert operator or replenish part store when inventory levels fall below a pre-defined threshold

### Auto-ID Value Add:

- 100% automated tracking and reliable identification of work orders through the manufacturing process
- Reduction in safety stock and costly reusable containers
- Help prevent missing orders and rework, increasing throughput
- Audit trail of components, batch numbers for finished products

## Tool Tracking



### Auto-ID Application:

- Real-time tracking of tools and specialized equipment

### Web Services Integration Options for ERP, MES & WMS Systems:

- Verify and update tool location and maintenance records when tools are checked in and out

### Auto-ID Value Add:

- Automated inventory management
- Reduction in tool spares
- Fewer lost tools, increasing manufacturing uptime
- Audit trail of tool usage and calibration simplifies compliance

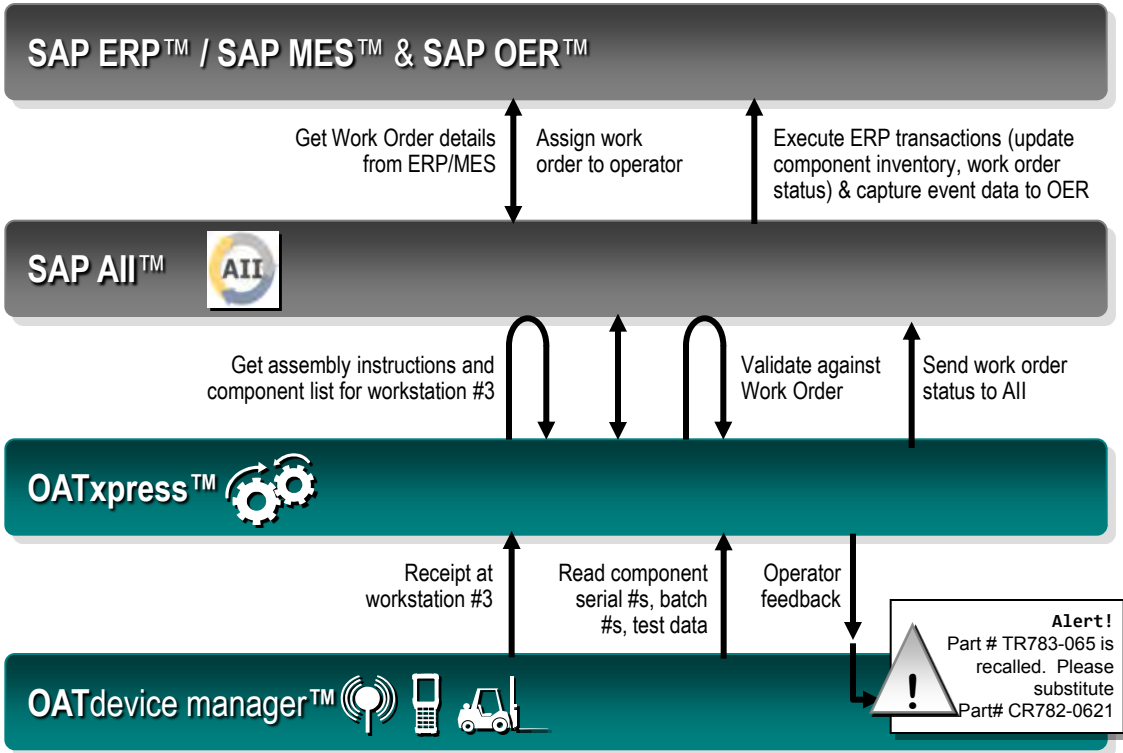
# 3. Assembly: Functional Process Flows

## Work-in-Process Tracking



### Sample Process Flow

- Verifying Components as they are Assigned to Work Orders

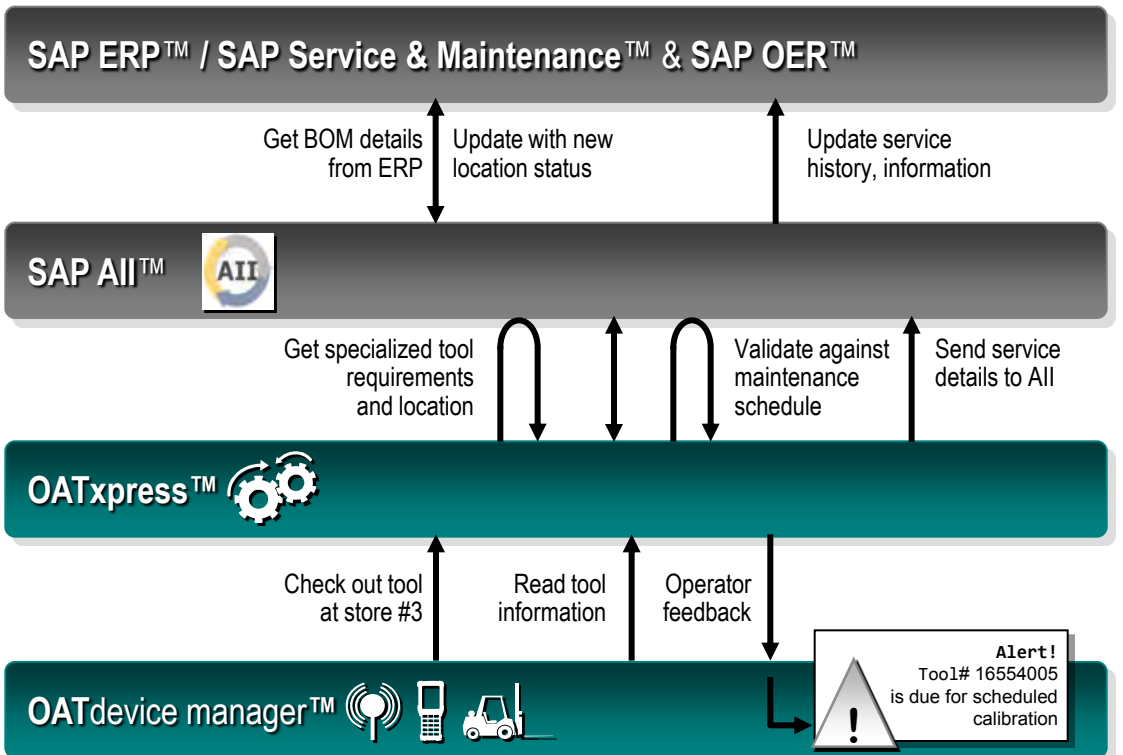


## Tool Tracking



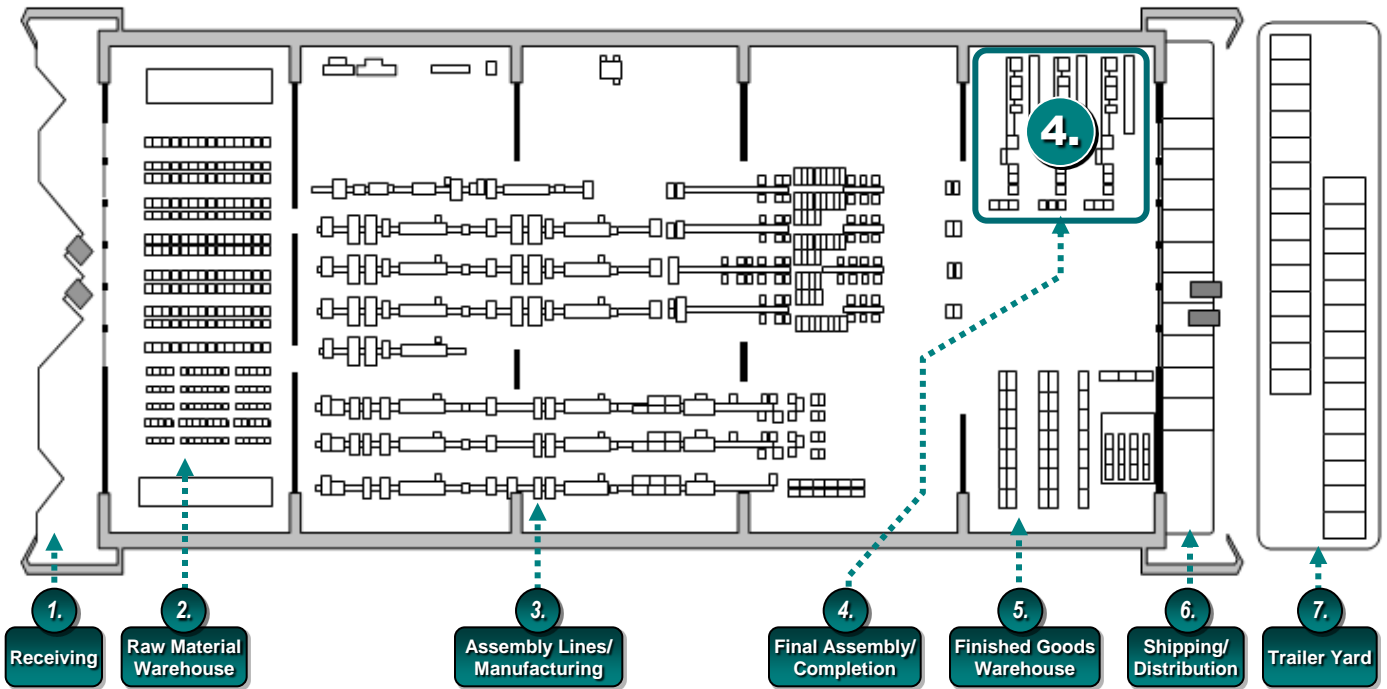
### Sample Process Flow

- Manage tool stores and calibration schedule





# 4. Auto-ID Applications in Final Assembly / Completion



## Audit & Inspection



### Auto-ID Application:

- Real-time tracking of quality assurance activities and maintenance schedules

### Web Services Integration Options for ERP Systems:

- Confirm required components are included in each finished product or custom order
- Alert staff if a specific component is missing, is near or past expiration date, or requires maintenance
- Verify and update maintenance records when products are serviced

### Auto-ID Value Add:

- Faster final inspection process
- Fewer spare components required
- Audit trail simplifies compliance and reverse logistics

## Order Tracking



### Auto-ID Application:

- Track orders & their individual items from location to location

### Web Services Integration Options for ERP & WMS Systems:

- Pull order details to track supplier, end customer, final destination & item numbers
- Alert staff with a visual or audible alarm when an order is received at the wrong location, or needs to be expedited

### Auto-ID Value Add:

- Real-time order status
- Reduce manual labor in confirmation, verification & search activities

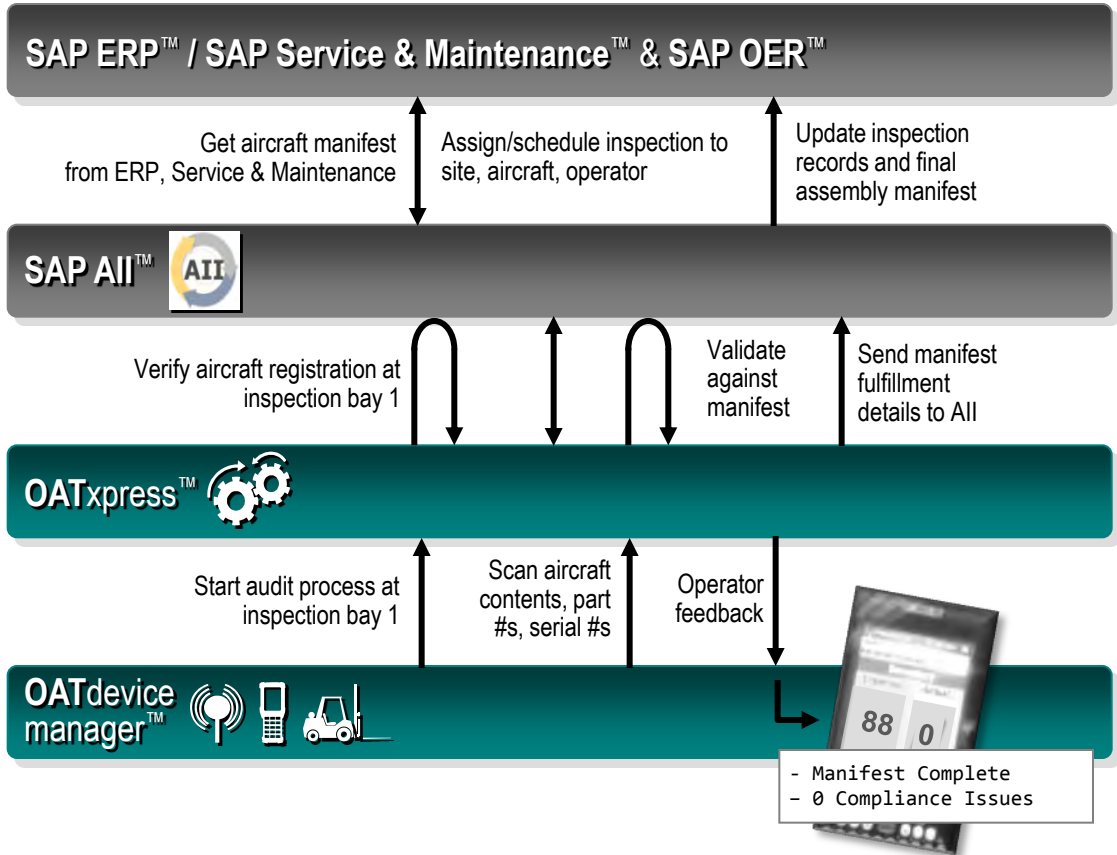
# 4. Final Assembly & Completion: Functional Process Flows

## Audit & Regulation



### Sample Process Flow

- Confirm required components are on board aircraft

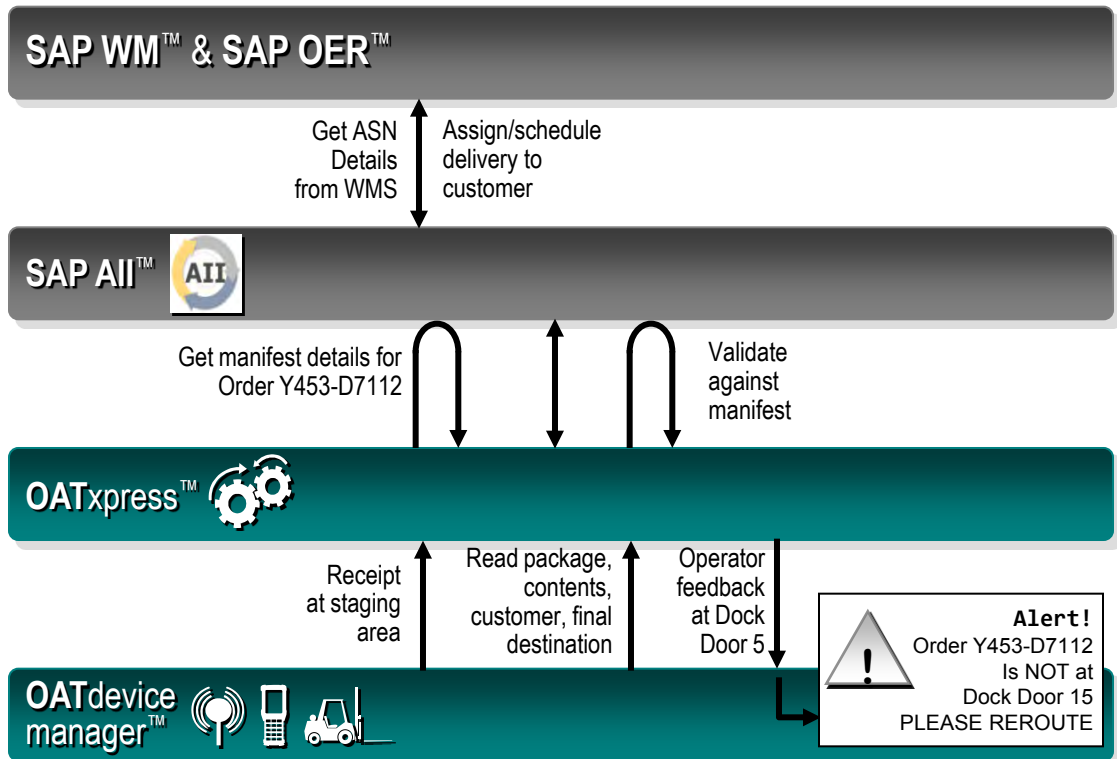


## Order Tracking

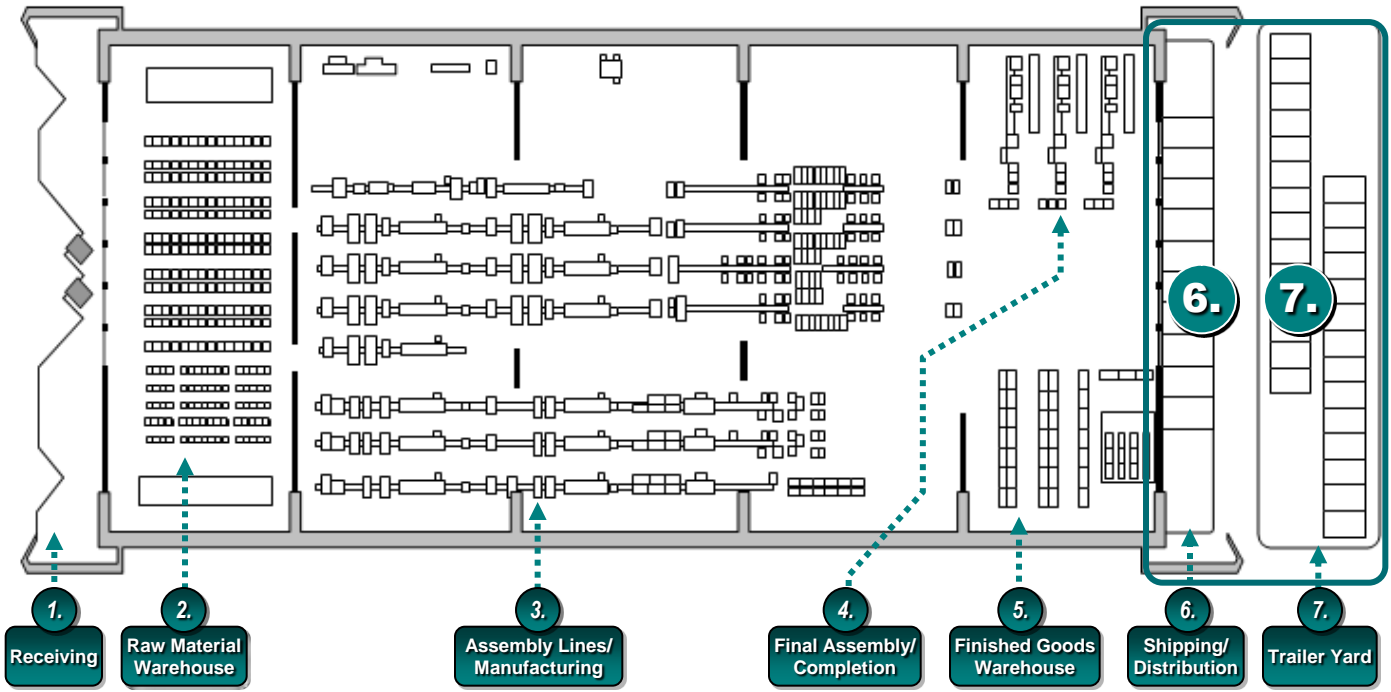


### Sample Process Flow

- Validate physical items against ASN & customer order to track supplier, end customer, final destination and item numbers



# 6. 7. Auto-ID Applications in Distribution



## Shipping



### Auto-ID Applications:

- Automate Advanced Shipping Notices (ASNs)
- Verify outgoing orders
- Automate tracking of delivery vehicles and associated orders

### Web Services Integration Options for ERP & WMS Systems:

- Expedite rush orders
- Verify individual items with customer orders
- Verify final destination, carrier and dock door
- Flag rush orders by comparing order number & special instructions

### Auto-ID Value Add:

- 100% automated tracking & reliable confirmation of orders as they are shipped
- Significantly reduce error rates and costly correction processes
- Focus staff on exception handling vs. administrative paperwork

## Yard Management



### Auto-ID Application:

- Automate tracking and identification of trailers and their contents as they arrive, exit or move within a laydown yard

### Web Services Integration Options for ERP & WMS Systems:

- Compare trailer contents with manifests, ASNs and work orders
- Update inventory and place replenishment orders as needed

### Auto-ID Value Add:

- Significantly reduce error rates, correction processes and 3rd party service costs
- Minimize driver and trailer detention time
- Minimize the need for extra trailers, safety stock and expedite costs

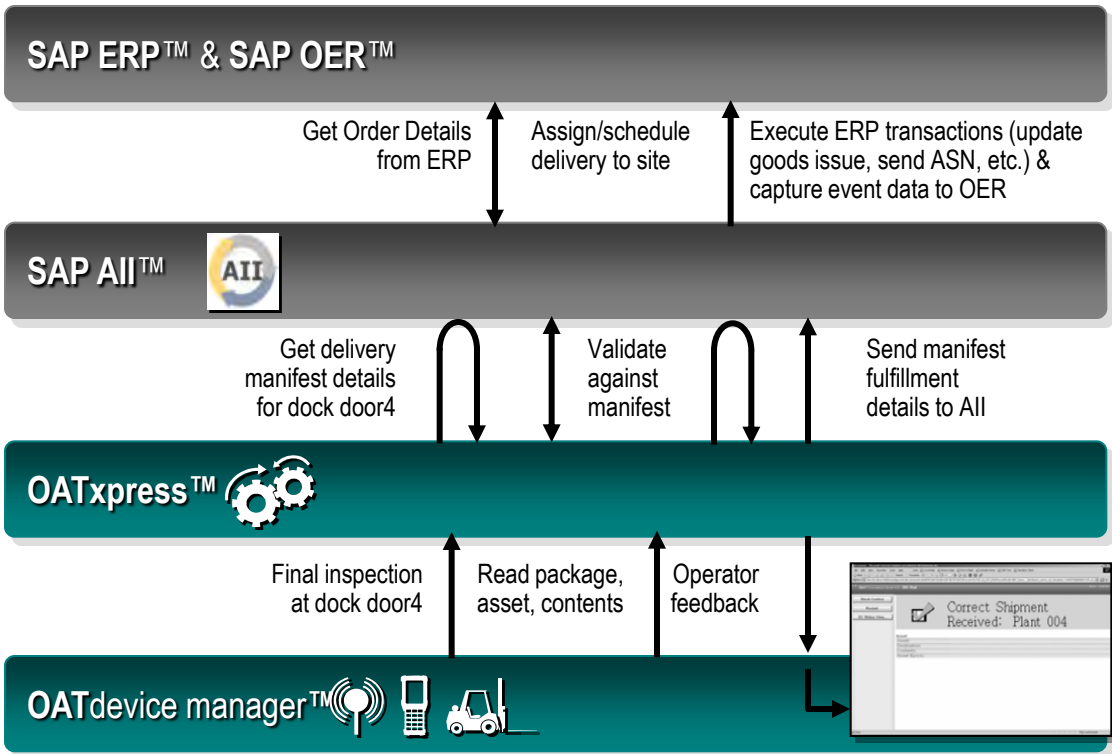
# 6. 7. Distribution: Functional Process Flows

## Shipping



### Sample Process Flow

- Verifying outgoing orders, validating Packages against ASN

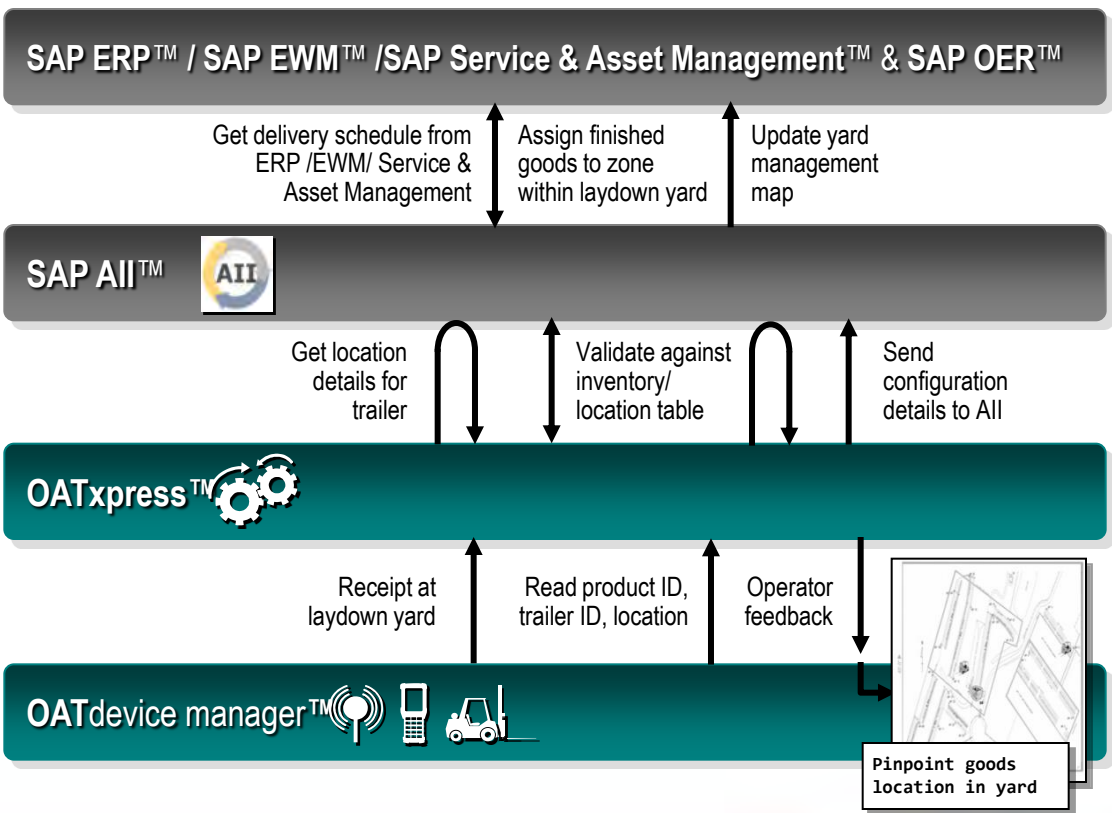


## Yard Management




### Sample Process Flow

- Verifying Finished Goods Location and Maintenance during Check-In/ Check-Out Process

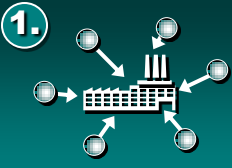





# Leveraging Your Production Systems

	<h2>Auto-ID Integration Examples</h2>
<b>Enterprise Resource Planning (ERP) Systems</b>	<ul style="list-style-type: none"> <li>• Verify physical components against bill of materials</li> <li>• Trigger inventory replenishment when low stock is detected</li> </ul>
<b>Manufacturing Execution Systems (MES)</b>	<ul style="list-style-type: none"> <li>• Track physical products at each stage of testing &amp; assembly</li> <li>• Confirm that custom orders match manifest</li> <li>• Locate missing parts &amp; equipment</li> </ul>
<b>Warehouse Management Systems (WMS)</b>	<ul style="list-style-type: none"> <li>• Verify manifest &amp; destination for outgoing shipments</li> <li>• Prevent mis-shipments with visual/audible alarms</li> <li>• Track finished goods inventory</li> </ul>
<b>Maintenance &amp; Repair (MRO) Systems</b>	<ul style="list-style-type: none"> <li>• Verify parts &amp; equipment against service orders</li> <li>• Monitor installation &amp; maintenance history</li> <li>• Locate recalled or expired service parts</li> </ul>
<b>Business Activity Monitoring (BAM) Dashboards</b>	<ul style="list-style-type: none"> <li>• Automatically update dashboards to reflect:               <ul style="list-style-type: none"> <li>– Physical inventory levels</li> <li>– Orders shipped</li> <li>– Manufacturing efficiency</li> </ul> </li> </ul>

**ERP, MES, WMS, MRO systems & business activity dashboards** are the lifeblood of many manufacturing and services organizations. Auto-ID-enabling these production systems incorporates real-time production and delivery status into day-to-day business metrics. This enables staff to uncover and address process errors before they impact production schedules, customer orders and downtime.

# Auto-ID-enabling the Value Chain

	 <b>1.</b> <b>Supply Chain</b>	 <b>2.</b> <b>Logistics &amp; Distribution</b>	 <b>3.</b> <b>Manufacturing / Assembly Lines</b>	 <b>4.</b> <b>Maintenance &amp; Reverse Logistics</b>
<b>Items to Track:</b>	<ul style="list-style-type: none"> <li>• Component Parts</li> <li>• Supplier</li> <li>• Batch Number</li> <li>• Due Date</li> </ul>	<ul style="list-style-type: none"> <li>• Carrier</li> <li>• Order Number</li> <li>• Order Contents</li> <li>• Final Destination</li> <li>• Due Date</li> </ul>	<ul style="list-style-type: none"> <li>• Work-in-Process</li> <li>• Tools and Equipment</li> <li>• Test Results</li> <li>• Custom Order Details</li> </ul>	<ul style="list-style-type: none"> <li>• Service History</li> <li>• Replacement Parts</li> <li>• Part Expiration Date</li> <li>• Service Due Date</li> </ul>
<b>Processes to Enable:</b>	<b>Sourcing</b> <b>Shipping/Receiving</b>	<b>Shipping/Receiving</b> <b>Yard Management</b> <b>Transportation</b>	<b>Shipping/Receiving</b> <b>Line-side Replenishment</b> <b>Assembly</b> <b>Asset Tracking</b> <b>Tool Tracking</b>	<b>Line-side Maintenance</b> <b>Reverse Logistics</b>
<b>Enterprise Systems to Enable</b>	<b>ERP</b> <b>MMS</b> <b>WMS</b>	<b>ERP</b> <b>WMS</b>	<b>ERP</b> <b>MMS</b> <b>MES</b> <b>WMS</b>	<b>Field Service</b> <b>Enterprise Asset Management</b>
<b>Infrastructure to Enable</b>	<b>Barcode, RFID, CMBs, Wi-Fi</b>	<b>Barcode, RFID, Wi-Fi, RTLS, GPS</b>	<b>Barcode, RFID, CMBs, Wi-Fi, PLCs, Stack Lights &amp; other sensors</b>	<b>Barcode, RFID, CMBs, Wi-Fi, RTLS, GPS</b>
<b>Quantifying Value:</b>	<b>Increased Forecast Accuracy</b> <b>Reduced Safety Stock</b> <b>Reduced Expedite Costs</b>	<b>Streamlined Shipping Costs</b> <b>Increased Order Accuracy &amp; Customer Satisfaction</b>	<b>Improved Product Quality, Fewer Returns</b> <b>Reduced Downtime</b> <b>Reduced Scrap &amp; Rework</b> <b>Reduced Expedite Costs</b>	<b>Increased Time in Service</b> <b>Fewer Audits &amp; Regulatory Fines</b> <b>Reduced Maintenance and Repair Costs</b>

**Beyond the four walls of each manufacturing facility**, there are common operational challenges in supply chain, logistics and maintenance processes that can be addressed with real-time visibility.

By Auto-ID-enabling existing applications and implementing Auto-ID packaged solutions, Manufacturers can reduce deployment time and accelerate the return on their technology investment.

## Case Study:

### Auto-ID-enabled Tractor-Trailer Monitoring

A leading electronics manufacturer with six North American production facilities realized over 250% ROI in under 12 months by recovering lost material, reducing excess inventory and labor costs with OAT Asset Tracking software and Wi-Fi tagged delivery vehicles.

The most significant cost savings came from automating and error proofing manifesting, loading and unloading processes, along with eliminating non-value added tasks such as searching for missing orders and components.

## About OATSystems

OATSystems has helped more than 100 companies take advantage of Auto-ID to streamline operations, enhance customer satisfaction and increase bottom line results. OAT is the recognized Auto-ID solution leader with software that empowers businesses to achieve both cost savings and competitive advantage. As a pioneer in the development of Auto-ID technology, OAT has been setting the standard in RFID for nearly a decade and has provided real-time enabled solutions to leading companies such as Airbus, Chevron, Best Buy, Tesco, Kimberly-Clark, Cephalon, Tyco Electronics, Shell and others.

Contact OATSystems today at [www.oatsystems.com](http://www.oatsystems.com) or 781-907-6100 and get ready to take control of your operations.

### **Corporate Office:**

#### **OATSystems**

309 Waverley Oaks Road,  
Suite 306  
Waltham, MA 02452  
USA  
781-907-6100

### **International Sales:**

#### **OATSystems**

68 Lombard Street  
London EC3V 9LJ  
United Kingdom  
+44 20 7868 1704

[www.oatsystems.com](http://www.oatsystems.com)

